



- LED Floodlight for CAR PARK, BUILDS and factories
 - Reliability
 - Safety
- Autodimming or Dali or Power line carrier
 - $L_{80}F_{10}$ - 80 000 hours (until 140W)
 - Driver 120 000 hours ($T_p < 55^\circ\text{C}$)
 - Running temperatures:
-20/+55°C
- Made 100% in Italy and western of Europe
 - 10 Years warranty





LED lighting system for floodlighting

ELECTRICAL SPECIFICATIONS

Voltage	220 ÷ 240 V ac
Frequency	50 - 60 Hz
Electrical safety class	Classe II
Power supply efficiency	92,5%
Total Harmonic distortion	<20%
Integrated Driver	Dali or 1-10V per external control
Driver Changing	Extractable and replacable per separated module
Lighting Management	Dali or in option Courant carrier signal (CLO)

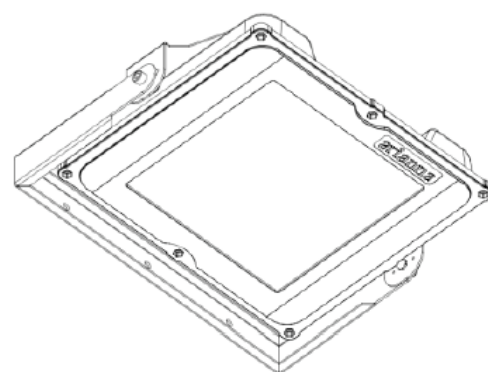
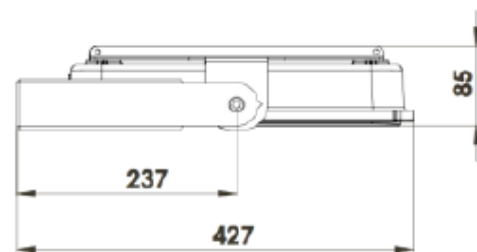
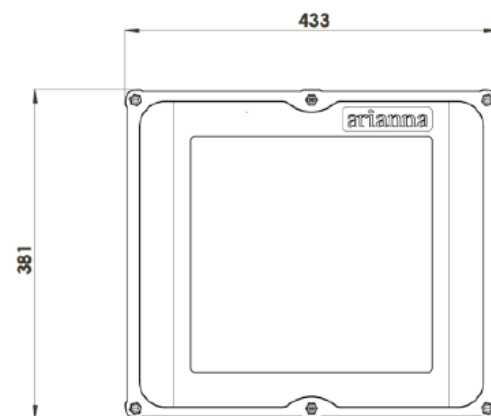
MECHANICAL FEATURES

Body	Die-cast aluminium EN 46100
Paint	Resistant to 1000 hours in salt spray
Glass	Extra clear, 4-mm thick
External screws	A2 stainless steel
Total weight	6,5 kg
Ingress protection	IP 66
Impact resistance	IK08 - 5j
Typical wire	HO7RNF - 2x1,5mm ²

OPTICAL FEATURES

LED	PHILIPS LUMILEDS LUXEON M
Photobiological safety	Exempt group

Sizes:



Units : mm

ALL TYPES

Model	nb. LED	LED flux lm@4000k	Luminaire flux lm@4000k	Power W	Efficacy lm/W
45 watt	8	5862	5100	45	114
60 watt	10	7697	6696	59	113
75 watt	14	9863	8581	75	114
90 watt	16	11621	10110	89	113
105 watt	18	13444	11696	104	112
120 watt	18	15005	13054	122	107
140 watt	18	17124	14898	142	104
150 watt	18	18600	16200	152	104
180 watt	32	23241	20220	177	114
210 watt	36	26887	23392	207	113
240 watt	36	30009	26108	238	110
280 watt	36	34247	29795	282	106



IP66



arianna

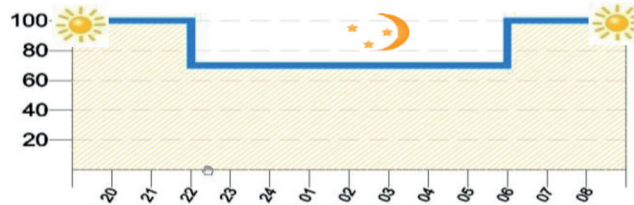
APLYLED - ARIANNA Agent & Importateur Exclusif
 ZA de La Tuilerie- 31 Rue Henri Becquerel- 77500 CHELLES FR
 TEL. +33 (0)1 60 08 82 59 - FAX: +33 (0)1 64 12 64 21

WEB: www.aplyled.com / www.aplyled.fr / EMAIL: info@aplyled.com

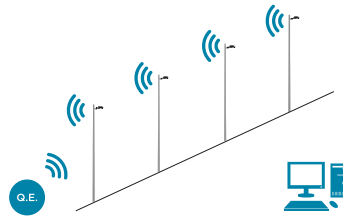
LED lighting system for floodlighting

Lighting management:

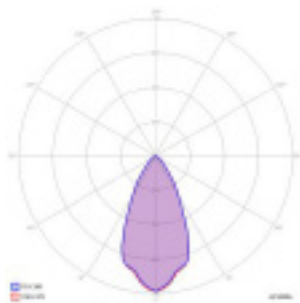
AUTO DIMMING DEVICE



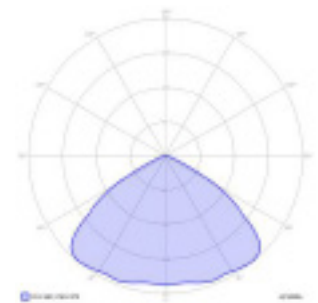
Power Line Carrier Communication (220V Wires) Or Dali Lighting control



Optics:



TYPE HB



TYPE LB

.ies files are available for Dialux simulation



LED lighting system for floodlighting

Licence No. ENEC-00660 for streetlighting

Rated Voltage / Frequency 220-240 V ~ 50-60 Hz

Insulation Class II

Degree of protection (IP) 66

Tested acc. to EN 60598-1:2008/A11:2009, EN 60598-1:2008, EN 60598-2-3:2003/A1:2011, EN 60598-2-3:2003

The luminaire was additionally tested in accordance with the standard IEC/EN 62262:2002 (degrees of protection provided by enclosure for electrical equipment against external mechanical impacts, IK code).

Luminaire withstand the test for IK08 code

CE - Conformity Declaration

Series: FLOODLED SNELL

Are compliant with the following Directives:

- 2006/95/EC LV
- 2004/108/EC EMC
- 2009/125/EC ErP
- 2011/65/EU RoHS

And they are in compliance with the following standards:

- EN 60598-1: 2008 +A11:2009
- EN 60598-2-3: 2003 +A1:2011
- EN 55015: 2006 +A1:2007 +A2:2009
- EN 61547: 2009
- EN 61000-3-2: 2006 +A1:2009 +A2:2009
- EN 61000-3-3: 2008
- EN 62471: 2008
- EN 62493: 2010

